

SERVICE BULLETIN

Subject: Float Reservoir Change

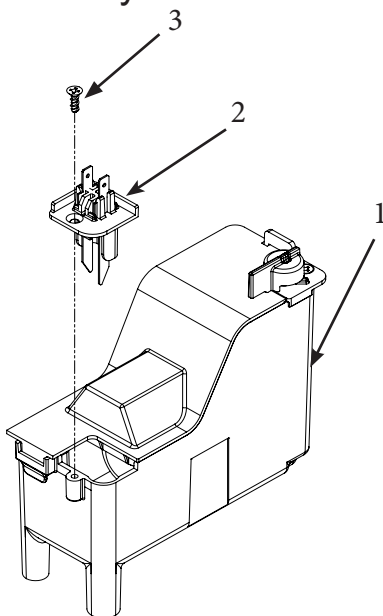
Products affected: Meridian, Prodigy Flaked and Nugget Models

The reservoir used in the above machines has changed. The prior reservoir used a lever to lift the float in order to shut the water off for cleaning and maintenance. The new design uses a knob and was introduced when the UF424 and UN324 were released. This design change is to communize reservoirs throughout the product lines.

Identification: The new design is interchangeable with all white cover reservoirs. It is not compatible with old clear cover reservoirs.

The new reservoir part number is A40664-001 and includes the complete reservoir assembly.

The water level sensor has also changed but is interchangeable with all white cover reservoirs. The water level sensor is not included with the reservoir assembly.



| Item | Description | Part Number |
|------|--------------------|-------------|
| 1 | Reservoir Assembly | A40664-001 |
| 2 | Water Level Sensor | A40666-001 |
| 3 | Screw | 03-3870-01 |